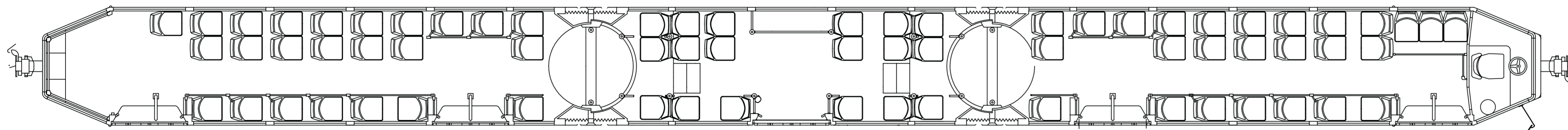
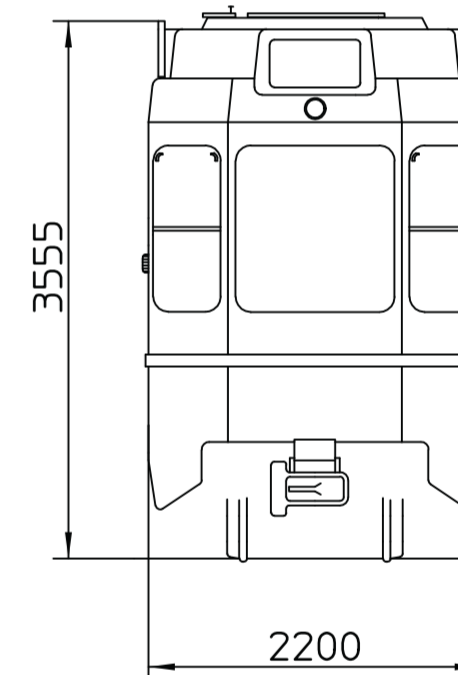
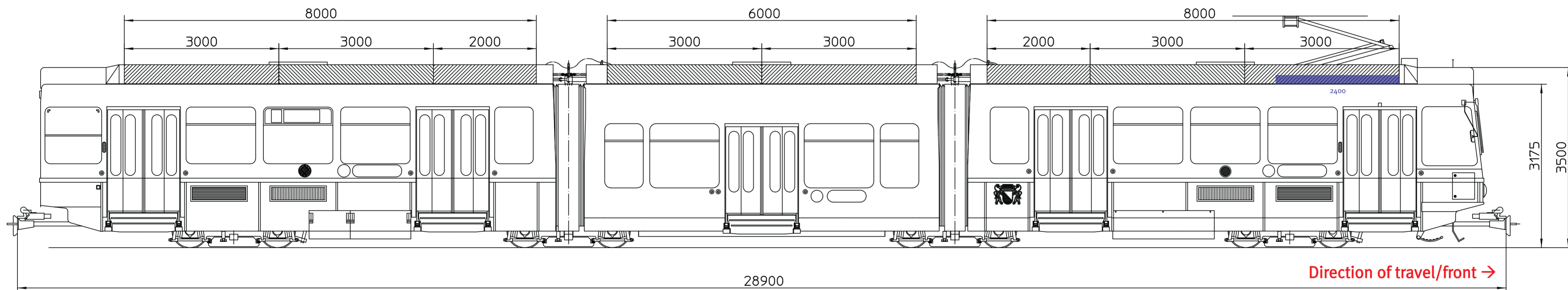
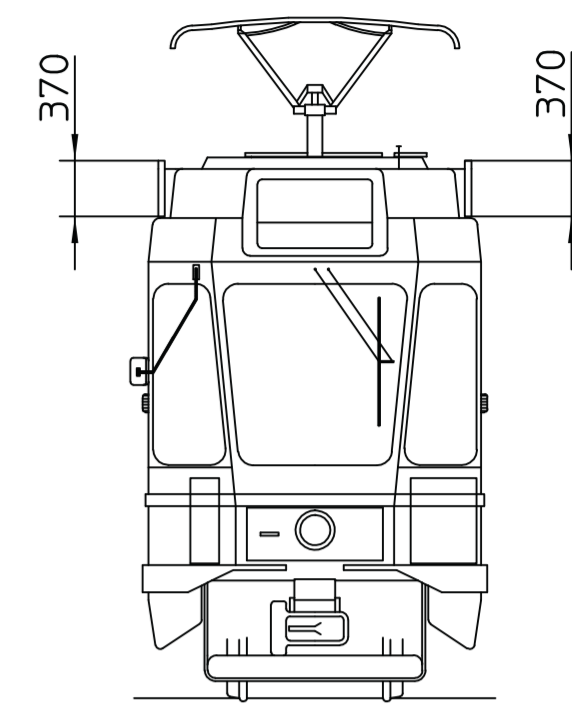
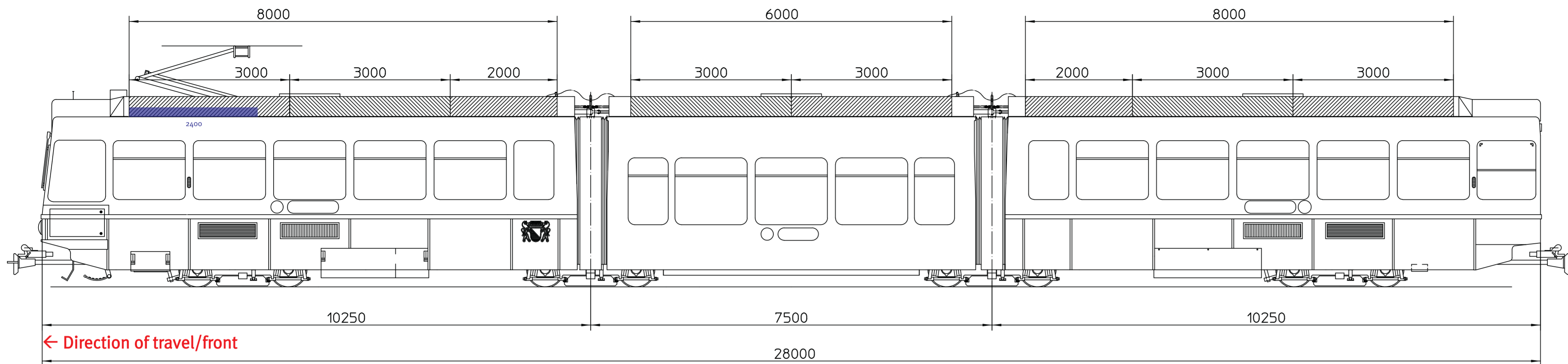


# Smooth-runner trams | All dimensions in millimetres



## Print formats incl. bleed

**Roof panels:**  
 Large: 8100 x 420 mm  
 Small: 6100 x 420 mm

## 3D elements

The 3D element may not extend more than 130 mm over the panel on top and bottom.

Elements that protrude or extend beyond the contours have various negative aspects: washing brush wear, catching clothes during roof work and loss of quality during cleaning!

To minimise these issues, the edges are rounded during production!  
 Excessively pointy or fine elements should be avoided.



From the front, no 3D elements may be placed over a space of 2,400 mm.